



How to connect the DP832 for +/-30V

Date: 06.03.2015

Solution: The DP832 is a triple output power supply. CH1 and CH2 are +30V supplies, and CH3 is a 5V supply.

To configure the instrument as a +/-30V or lower, you can use the instrument ground plug located on the front panel:



- Select which channel you want to be + and which you want to be - (in this note, we will select CH1 as -, CH2 as +)

NOTE: The jumper wires connected to the DP832 ground must use wire rated for 9A or greater to prevent damage or a possible fire hazard.



- Connect the power supply up as follows (we are including CH3 here)

CH1 +	DP832 Ground Connection
CH1 -	DUT 1 – (-30V)
CH 2 +	DUT 2 + (+30V)
CH2 -	DP832 Ground Connection
CH3 +	DUT 3 + (+5V)
CH3 -	DP832 Ground Connection

- Configure the channels for the proper voltage, current, and limits that they require.

NOTE: CH1 true polarity will be negative (-) with respect to the DP832 Ground Connection, even though the programmed voltage will indicate positive (+)

- Enable the power supply outputs by pressing the ON/Off buttons for each channel
- To make operation easier, you can also activate Tracking between Channel 1 and Channel two by pressing Utility > System > Track Set > Set Track to “Synchronous”. This will allow you to adjust the output value for Channel 1 and Channel 2 will follow.

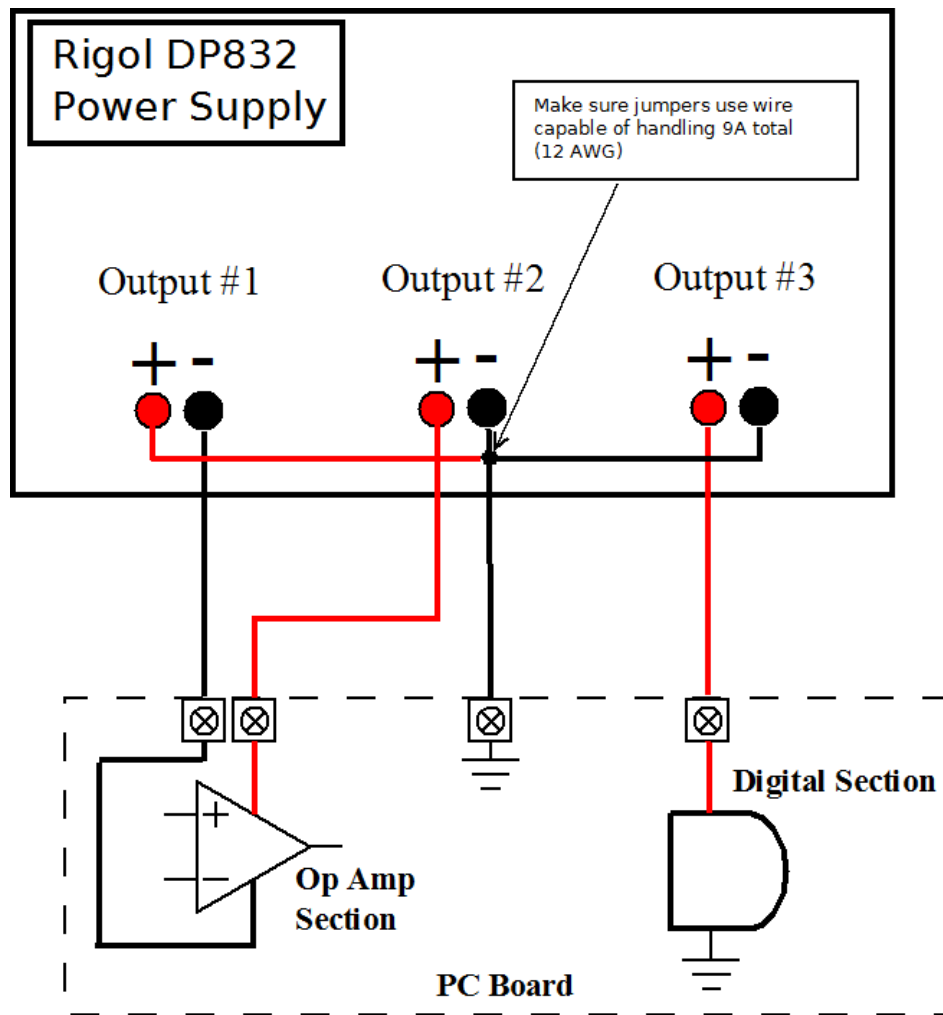


For floating connections (without earth ground)

- Select which channel you want to be + and which you want to be - (in this note, we will select CH1 as -, CH2 as +)

Connect the power supply up as follows (we are including CH3 here)

CH1 +	CH 2 - (-30V)
CH1 -	DUT 1 -
CH 2 +	DUT 2 + (+30V)
CH2 -	DUT 2 - (- 15V)
CH3 +	DUT 3 + (+5V)
CH3 -	CH 2 -





NOTE: The jumper wires connecting CH1 +, CH2 –, and CH3 – must use wire rated for 9A or greater to prevent damage or a possible fire hazard.

Configure the channels for the proper voltage, current, and limits that they require.

NOTE: CH1 true polarity will be negative (-) with respect to the DP832 Ground Connection, even though the programmed voltage will indicate positive (+)

- Enable the power supply outputs by pressing the ON/Off buttons for each channel
- To make operation easier, you can also activate Tracking between Channel 1 and Channel two by pressing Utility > System > Track Set > Set Track to “Synchronous”. This will allow you to adjust the output value for Channel 1 and Channel 2 will follow.



Headquarters

RIGOL TECHNOLOGIES, INC.
No.156,Cai He Village,
Sha He Town,
Chang Ping District, Beijing,
102206 P.R.China
Tel:+86-10-80706688
Fax:+86-10-80705070
Email: support@rigol.com

USA

RIGOL TECHNOLOGIES,USA INC.
102000 SW Allen Blvd, Suite C
Beaverton
OR 97005, USA
Toll free: 877-4-RIGOL-1
Office: (440) 232-4488
Fax: (216)-754-8107
Email: info@rigol.com

EUROPE

RIGOL TECHNOLOGIES GmbH
Lindbergh str. 4
82178 Puchheim
Germany
Tel: 0049- 89/89418950
Email: info-europe@rigoltech.com